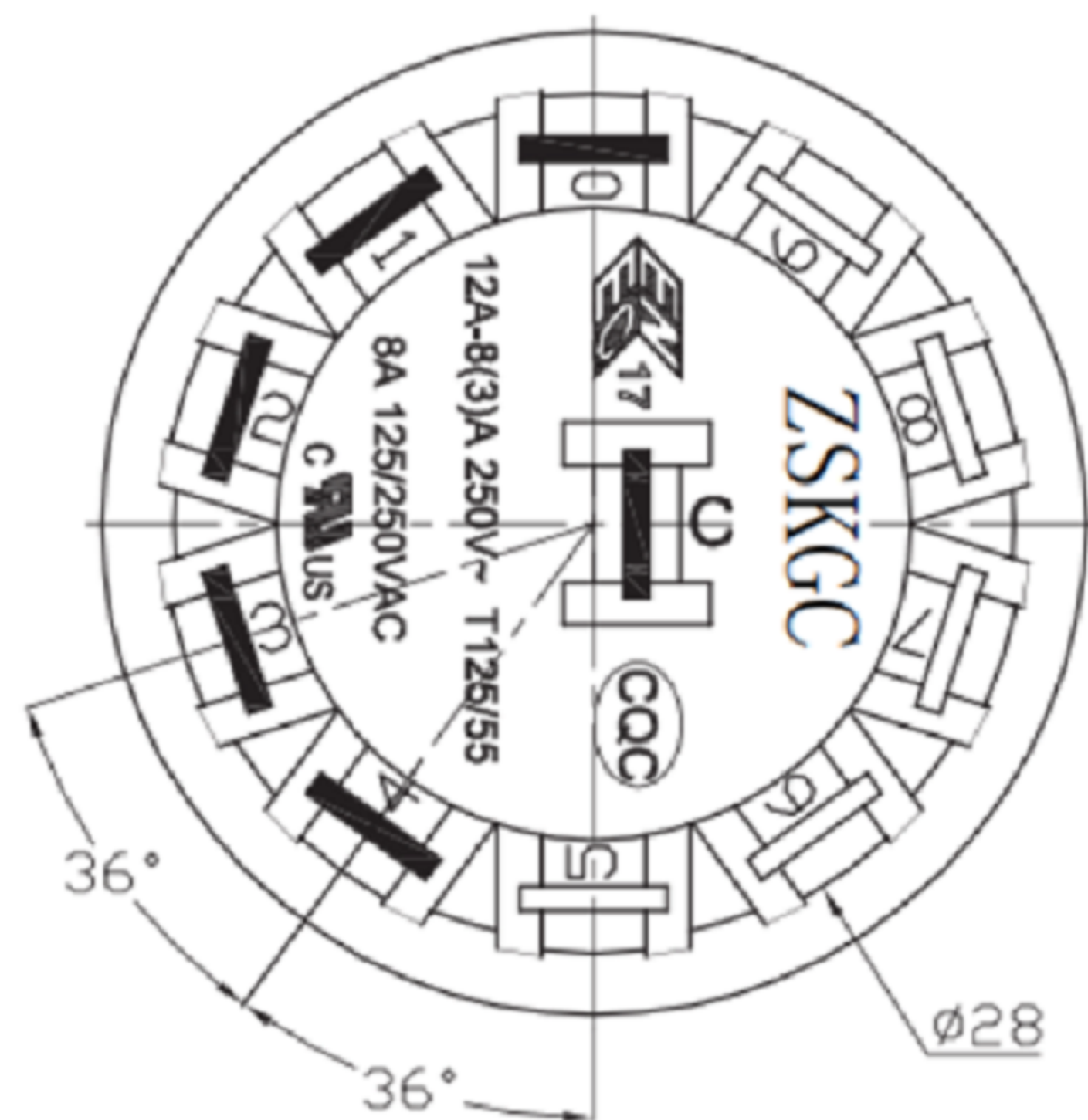
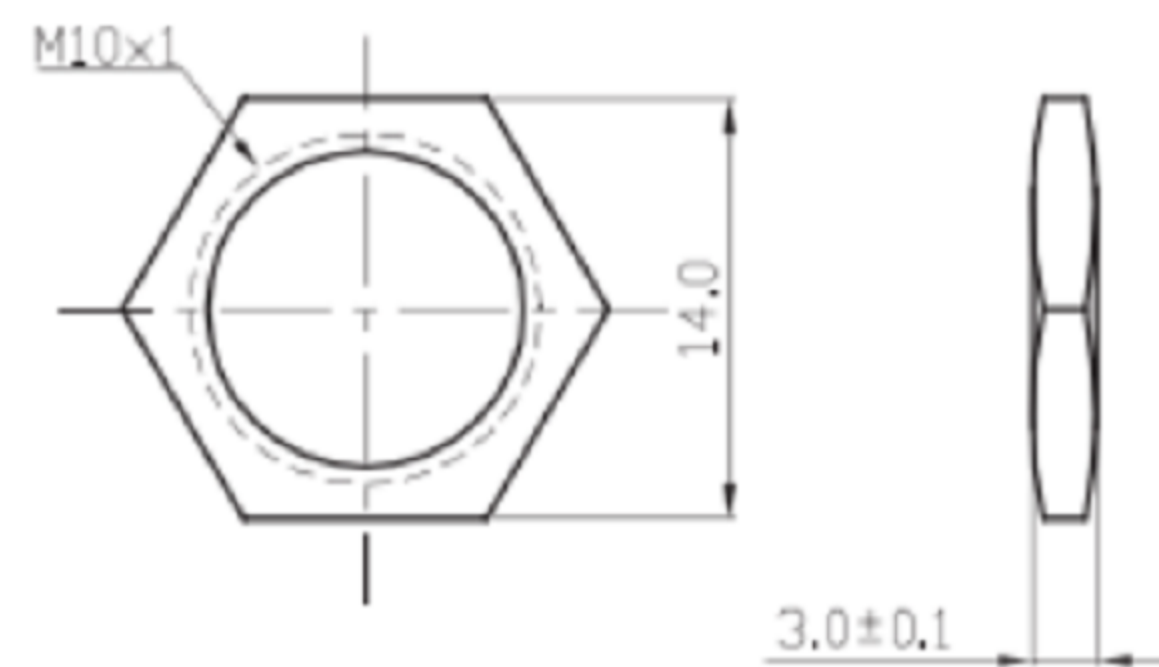


螺母配件



SPECIFICATION 規格:

Rating 額定:

8A 125/250VAC (UL,CUL)
12A-8(3)A250V-μT125/55(ENEC17,CQC)

Material (材質)

- (柄) ACTUATOR: PA66+30%GF(UL 94V-0)
- (上蓋) CAP: PA66(UL 94V-0)
- (基座) BASE: PA66(UL 94V-0)
- (端子) TERMINAL: BRASS/COPPER ALLOY SILVER PLATED

Electrical (電氣性能)

- (接觸電阻) INITIAL CONTACT RESISTANCE: 50mΩ Max
- (操作力量) OPERATION FORCE: 600±300gf/1300±500gf/1000±3000gf
- (絕緣電阻) INSULATION RESISTANCE: 100MΩ Min 500VDC
- (耐電壓) WITHSTAND VOLTAGE: 1KVAC FOR 1 MINUTE
- (電氣壽命) ENDURANCE: 10,000 CYCLES Min

東莞市高迪電子有限公司
DONG GUAN GAO DI ELECTRONICS CO., LTD

TOLERANCE UNLESS OTHERWISE STATED:
Up to 5 ±0.2
Above 5 ~ 15 ±0.3
Above 15 ~ 30 ±0.4
Above 30 ~ 50 ±0.5
Angle ±0.3°

3RD. ANGEL'S UNITS MM

DRAWN BY:	DATE	MAT'L	TITLE	Rotary switch
Ming Ming Zou	07/23/13	FINISH	MODLE	Rotary switch
CHECKED BY:	DATE	SCALE	DWG NO.	GD-MFR01-A1F04L1P-R
Ning Ning Su	07/23/13	1:1	PART NO.	
APPROVED BY:	DATE	SHEET NO.	SIZE	
Jia Xiang	07/23/13	1 of 1	A4	
				VER
				R2

2	公差及料號更新	Jack	072313
1	圖面更新	Frank Wu	021012
ITEM NO.	DESCRIPTION	DRAWN	DATE